

需要询问修理和使用时，请首先与购买的安装公司或经销商联系

安装公司 · 经销商

邮编

电话号码

-

经销商：东陶（中国）有限公司

全国售后服务电话：800-820-9787（固定电话）

400-820-9787（手机用户）

地址：北京市朝阳区光华路1号 北京嘉里中心北楼1915室

网址：www.toto.com.cn

For advice on repairs and handling, first contact your dealer.

Dealer:

Address:

Tel:

-

**TOTO Asia Oceania Pte. Ltd.**

Telephone : 65-6744-6955

FAX : 65-6841-0819

Address : 10 Eunos Road 8 #12-07 Singapore Post Centre Singapore 408600

Website : asia.toto.com

**TOTO KOREA LTD.**

전화번호 : (02)-3141-8236

FAX 번호 : (02)-3141-8240

주소 : 서울시 마포구 상수동 351-16번지 로이코빌딩 3층

홈페이지 : http://www.totokr.co.kr

**TOTO LTD.**

TOTO web site <https://www.toto.com/index.htm>

# TOTO

CN

使用说明书

双柄恒温淋浴明装普通水压水嘴  
(带固定花洒 · 手持花洒)

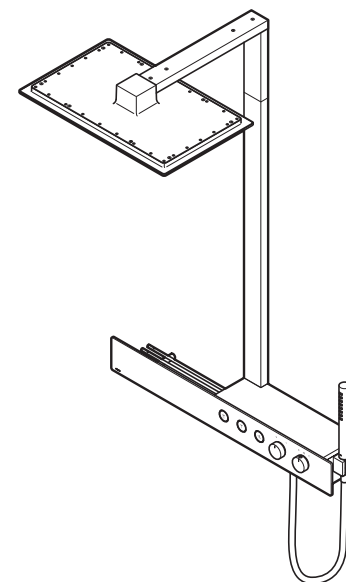
EN

Operation Manual

Thermostat Shower Column (Shelf Type)

TBW 08407 型 / TBW 08408 型

TBW08407 Type / TBW08408 Type



CN

◆感谢您此次选购挂壁式恒温混合龙头。  
请仔细阅读本使用说明书并正确使用。



EN

◆ Thank you for choosing TOTO's Thermostat Shower Column (Shelf Type).  
For the best performance, please read this manual carefully.





# 安全注意事项 (为安全起见, 请务必遵守)



使用前, 请仔细阅读本“安全注意事项”并正确使用。






- 阅读后, 请务必将本说明书保管在使用者可随时取阅的地方。
  - 为确保安全及正确安装商品, 防止对顾客及他人造成危害及财产损失, 本说明书进行了各种标示。
- 标示及其含义如下。

标识	含义
 <b>警告</b>	表示如果无视此标示栏的内容进行错误操作, 将有可能造成人员死亡或受重伤。
 <b>注意</b>	表示如果无视此标示栏的内容进行错误操作, 将有可能发生伤害或物损。

■ 本使用说明书通过以下图示对希望顾客遵守的内容进行分类、说明。

	 表示不允许实施的“禁止”内容。 左图表示“禁止分解”。
	 表示务必执行的“强制”内容。 左图表示“务必执行”。

 <b>警告</b>	
 禁止	供热水温度不可在超过90°C的高温下使用 如果在超过90°C的高温下使用, 将有可能导致龙头使用寿命缩短、损坏, 发生烫伤或因漏水致使家庭财产浸水等财产损失。
	请勿进行构成本商品以外的零部件的安装及拆卸等改造 将有可能损坏商品的性能, 发生烫伤、受伤或因漏水致使家庭财产浸水等财产损失。

 <b>警告</b>	
 禁止	请勿让儿童单独使用 有可能造成烫伤、受伤。
	请勿让花洒头通过热水(60°C以上) 花洒头损坏, 有可能造成烫伤、受伤。为安全起见, 淋浴时请使用45度以下的适温。
	请勿使多模式花洒同时吐水 有可能导致花洒温度急剧上升, 造成烫伤。
	请勿放置重物 将有可能导致龙头损坏, 发生受伤或因漏水致使家庭财产浸水等财产损失。可放置在框架上的重量为10kg以下。
 禁止分解	除本说明书所记载项目外, 请勿进行分解、改造 将有可能导致龙头损坏, 发生烫伤、受伤或因漏水致使家庭财产浸水等财产损失。
 禁止接触	使用高温热水时, 请勿直接触摸出热水部位 出热水部位形成高温, 有可能造成烫伤。
 务必执行	在使用冷、热水前, 请务必先用手确认是否为适温 出高温热水, 有可能造成烫伤。另外, 在切换喷口与花洒、切换花洒吐水状态时, 温度可能会升高, 请注意。

## 警告

使用前，请先确认吐水模式，然后操作开关按钮  
如操作错误，可能会淋到冷水或造成烫伤。

确认温度调节手柄的温度位置，打开冷水  
出高温热水，有可能造成烫伤。

使用高温热水后，请务必将温度调节手柄的安全按钮返回到  
“40”以下  
下次使用时，有可能突然出高温热水，造成烫伤。

使用高温热水后，应放流一段时间冷水  
下次使用时，残留在龙头内的高温热水有可能突然流出，造成烫伤。

慢慢转动温度调节手柄  
如果快速转动温度调节手柄，有可能导致温度急剧上升，造成烫伤。

定期（1年2次以上）检查管道周围是否有漏水及松动  
将有可能因老化、磨损等导致零部件损坏，发生烫伤、受伤或因漏水  
致使家庭财产浸水等财产损失。



务必执行

## 警告

清扫过滤网时，请务必先关闭管道总开关再拧开上盖。  
另外，还要确认热水侧止水阀部位是否发烫

（请参考P.17）

将有可能因出高温热水，发生烫伤或因漏水致使家庭财产浸水等财产损失。

供冷水压力必须高于供热水压力或等压  
如果供热水压力高于供冷水压力，将有可能导致无法正常进行温度调节，造成烫伤。  
在增加供热水压力时，也请务必保证低于供冷水压力或等压。

调节热水侧的流量时应充分注意  
出高温热水，有可能造成烫伤。

万一发生冻结时，应将温度调节手柄安全按钮的位置对准  
“40”，检查与吐水温度是否一致  
如果冻结，有可能导致设定温度出现偏差，造成烫伤。



务必执行

## ⚠ 注意



禁止

请勿施加强力及冲击

将有可能导致龙头损坏，发生因漏水致使家庭财产浸水等财产损失。

松动等异常请勿放置不管

松动等异常如果放置不管，将有可能导致零部件损坏及电镀零部件表面破裂，造成受伤。万一发现零部件损坏及电镀破裂，请立即委托维修。

电镀部分请勿碰撞或过度用力操作

将有可能导致电镀表面破裂，造成受伤。万一电镀表面破裂，请立即委托维修。

请勿使用中性以外的洗涤剂

(请参考P. 18)

使用中性以外的洗涤剂有可能导致变色。

请勿将花洒头浸没在浴槽或洗脸盆等的水中

停水等时有可能发生逆流。此外，有时会被垃圾和头发等堵塞，损害功能。

请勿让化妆品等附着在龙头上

如果清洁剂、整发剂、洗发剂、染发剂等附着在树脂制零部件上放置不管，将有可能造成变色及损坏。万一附着，请立即用水冲洗。

请勿悬挂、拉拽、旋转

将有可能导致龙头脱落，发生受伤或因漏水致使家庭财产浸水等财产损失。

## ⚠ 注意



禁止

请勿在可能冻结的场所使用

将有可能导致零部件损坏，发生因漏水致使家庭财产浸水等财产损失。因冻结造成的损坏即使是在保修期内也属于收费维修范围。如有可能发生冻结，请确保龙头周围的温度不低于零度。

长期不使用时，关闭止水阀或管道总开关

有可能导致漏水等意想不到的事故。

花洒头不要靠近头发使用

碰到头发，有可能导致头发缠绕到缝隙内。



务必执行

使用手柄要充分注意

如果掉落，有可能导致受伤、手柄变形。



操作花洒开关按钮时，保持动作轻缓

如果突然关闭，会发出“咚”的声音，给管道带来冲击，将有可能发生因漏水致使家庭财产浸水等财产损失。



# Safety Precautions (Follow all precautions carefully to ensure a safe installation.)



Please read the "Safety Precautions" section thoroughly to ensure safe use.






- Read this manual carefully and keep it for future reference.
- This manual employs various symbols in order to indicate safe and proper installation and to prevent injuries to people or property damage. The symbols and meanings are as follows:

Symbol	Meaning
 <b>WARNING</b>	This symbol means that if the action indicated by the symbol is ignored or mishandled, death or serious injury may occur.
 <b>CAUTION</b>	This symbol means that if the action indicated by the symbol is ignored or mishandled, injury or property damage may occur.

- The actions you must observe are classified into the following symbols; their meanings are explained.

	⊘ Actions that you must NOT do are indicated as "Prohibited". The left figure signifies that "Disassembly is Prohibited".
	ⓘ Actions that you must do without fail are indicated as "Mandatory". The left figure signifies that it is "Mandatory".

 <b>WARNING</b>	
 Prohibition	<b>Do not use hot water at temperatures higher than 90°C.</b> If water hotter than 90°C is used, the water may scald you and may shorten the life of the product or damage the product and cause leakage resulting in water damage to property.
	<b>Do not modify the product using parts other than those that constitute this product or by mounting other parts or dismantling original parts.</b> Improper modifications to the product may not perform to expectations and may result in injuries such as scalding and cause leakage resulting in water damage to property.

 <b>WARNING</b>	
 Prohibition	<b>Do not let children use the product unattended.</b> Children may scald or injure themselves.
	<b>Do not use scalding hot-water (60°C or higher) in the shower head.</b> Scalding water can break the shower head cause scalding or injury. During your shower, use a temperature lower than 45°C to ensure safety.
	<b>Do not discharge water in multiple modes simultaneously.</b> The temperature of the shower may surge and cause burns.
	<b>Do not place heavy things on the product.</b> There is a risk that this may cause damage, injury or property damage due to water leakage wetting household belongings. The weight that can be put on the shelf is up to 10 kg.
 Disassembly is Prohibited	<b>Do not disassemble or remodel the product in any way other than what is described in this manual.</b> Improper modifications may cause scalding water that can injure you and may damage the product and cause leakage resulting in water damage to property.
 Do Not Touch	<b>When using hot water at high temperatures, do not directly touch the spout and faucet main body.</b> The spout and faucet main body can become hot enough to scald you when touched.
 Mandatory	<b>Before using the hot water, be sure to check the temperature with your hands.</b> There is a risk that hot water at a high temperature may come out and you may get burned. Also, please note that the temperature may rise after you switch between spout and shower or change the state of the shower discharge.

**! WARNING**

**Before using, check the water discharge mode and then press the Open/Close button.**

If you make a mistake, then you might suddenly be splashed with water or get burned.

**Check the temperature handle before turning on the water.**

If you turn on the water when it is set to the hottest setting, the water may be hot enough to scald you. When using hot water, start with cold water first and then adjust the water temperature slowly to the desired temperature.

**After using hot water at a high temperature, be sure to return the safety button on the temperature control handle back to "40" or less.**

This is because there is a risk that when you use it next time, hot water at a high temperature may suddenly come out and burn you.

**After using hot water, turn on the cold water for a while.**

Hot water could remain in the faucet and come out at your next use and may scald you.

**Turn the temperature control handle slowly.**

Turning the temperature control handle suddenly may result in a sudden rise in temperature and there is a risk that you may get burned.

**Periodically (more than twice a year) check around the piping for water leakage and loose connections.**

Parts may get damaged from deterioration and wear and may cause leakage resulting in water damage to property or cause injuries such as scalding.



Mandatory

**! WARNING**

**When cleaning the filter, be sure to close the stopcock to the piping before loosening the lid. Also, check that the hot water side stop valve part is not hot.**

**(See page 17.)**

Hot water at a high temperature may come out and scald you or cause damage to your property due to water leakage.

**Set the cold water supply pressure higher than or equal to the hot water supply pressure.**

In order to prevent scalding due to unsafe operation, the cold water supply pressure must be set higher than or equal to the hot water supply pressure. If increasing pressure on the hot water side, make sure the hot water supply pressure side is set lower than the cold water side.

**Pay careful attention when adjusting the flow rate on the hot water side.**



There is a risk that hot water at a high temperature may come out and you may get burned.




**If freezing has occurred, set the safety button of the temperature control handle to "40" and check if it matches the discharge temperature.**

When there is freezing, there is a risk that the set temperature may shift and you may get burned.

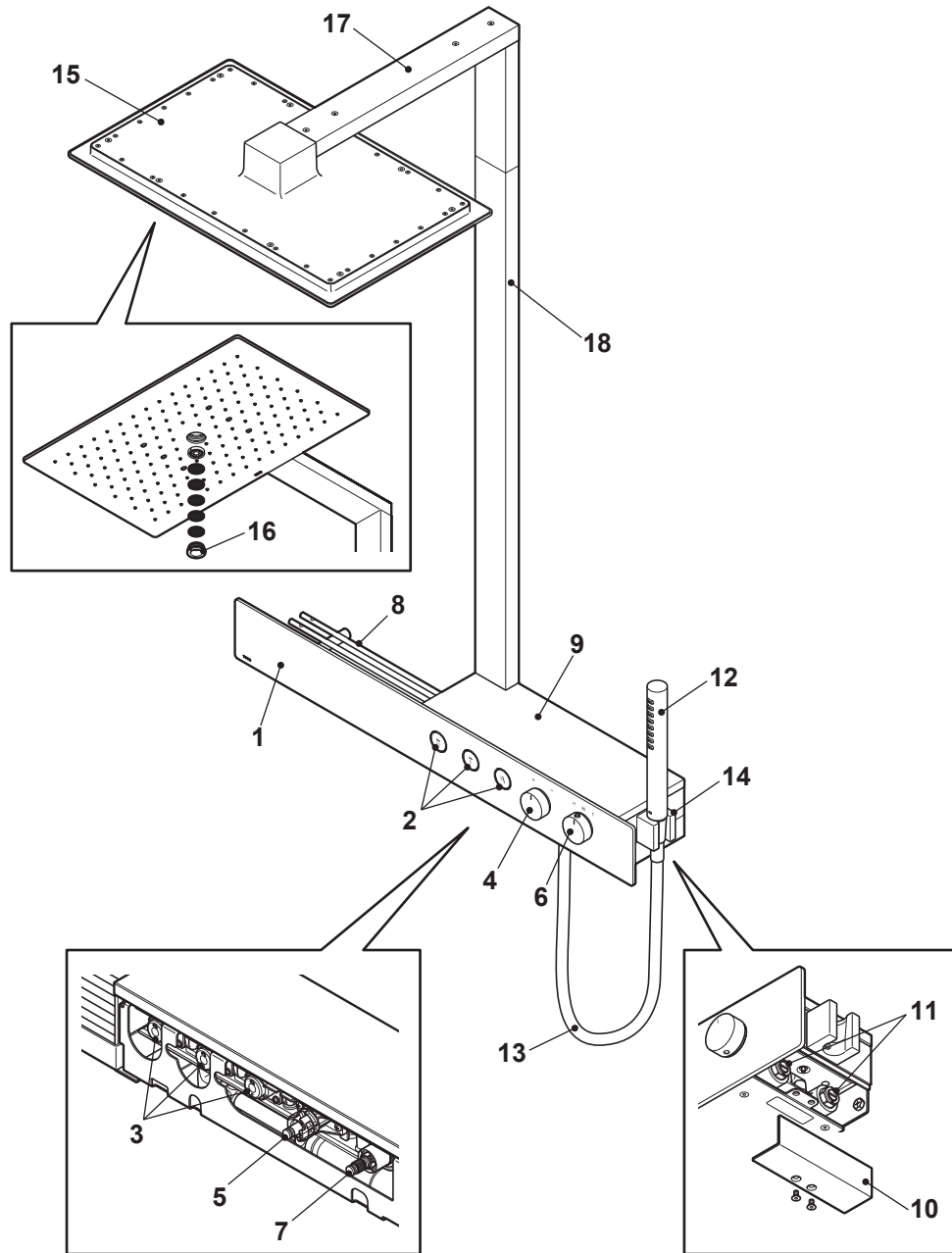


Mandatory

 <b>CAUTION</b>	
 Prohibition	<p><b>Do not subject the product to strong force or impact.</b> Strong forces or impacts may damage the product and cause leakage resulting in water damage to property.</p>
	<p><b>Do not ignore abnormally loose parts.</b> If abnormally loose parts are ignored, parts may break or plated surfaces may crack and cause personal injury. If you detect any damaged parts or cracked plated surfaces, immediately call for repair or replacement.</p>
	<p><b>Do not strike or use the plated parts with undue force.</b> The plated surface may crack and injure you. If the plated surface cracks, immediately ask for repair.</p>
	<p><b>Do not use cleaning agents other than neutral detergent.</b> <span style="float: right;">(See page 18.)</span> If you use cleaning agents other than neutral detergent, they may discolor or damage the faucet.</p>
	<p><b>Do not submerge the showerhead in the bathtub or washbowl and do not wash the showerhead by soaking it in detergent.</b> If you submerge the showerhead in the water, debris, hair and detergent in the water will enter the shower head and may clog it so that it cannot function.</p>
	<p><b>Do not let cosmetics, etc. stick to the faucet.</b> If cleansing agents, hairdressing, shampoos, hair dyes, etc. are left sticking to plastic parts, it may discolor or damage the product. If cosmetics, etc. are sticking, immediately wash them away with water.</p>
	<p><b>Do not subject the product to strong force or impact.</b> Strong forces or impacts may damage the product and cause leakage resulting in water damage to property.</p>

 <b>CAUTION</b>	
 Prohibition	<p><b>Do not use the product in places that have freezing temperatures.</b> Freezing may damage the product or parts and cause leakage resulting in water damage to property. Repairs to parts broken due to freezing are subject to billing even within the warranty period. If freezing is anticipated, do not lower the temperature around the faucet below zero.</p>
 Mandatory	<p><b>If the product will not be used for a long time, close the water shutoff valve or the main valve of the piping.</b> Unexpected problems like water leakage may result.</p>
	<p><b>Use the shower head away from the hair.</b> If you put it on your hair, then there is a risk that the hair may get entangled in the gaps.</p>
	<p><b>Be sufficiently careful about the handling of the handle.</b> If it is caused to fall, then this may cause injury or deformation of the handle.</p>
	<p><b>Operate the shower Open/Close button slowly.</b> If it is closed suddenly, then this may cause a banging sound and an impact on the piping and there is a risk that this may cause property damage due to water leakage wetting household belongings.</p>

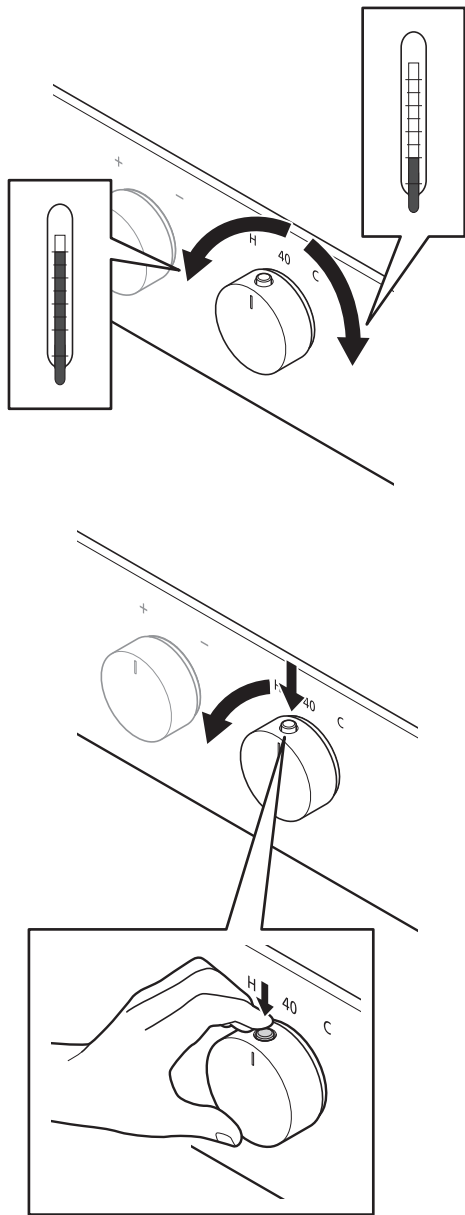
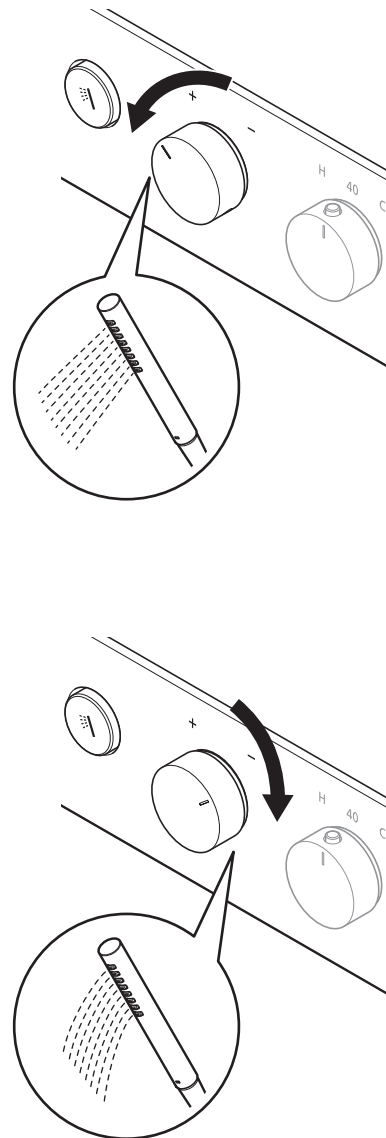
# CN 各部位名称 EN Names of Parts



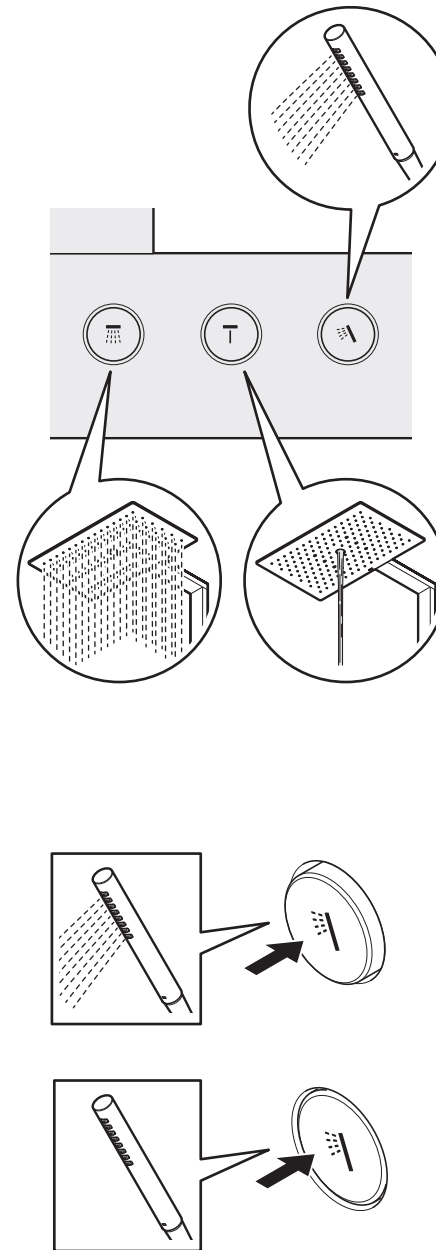
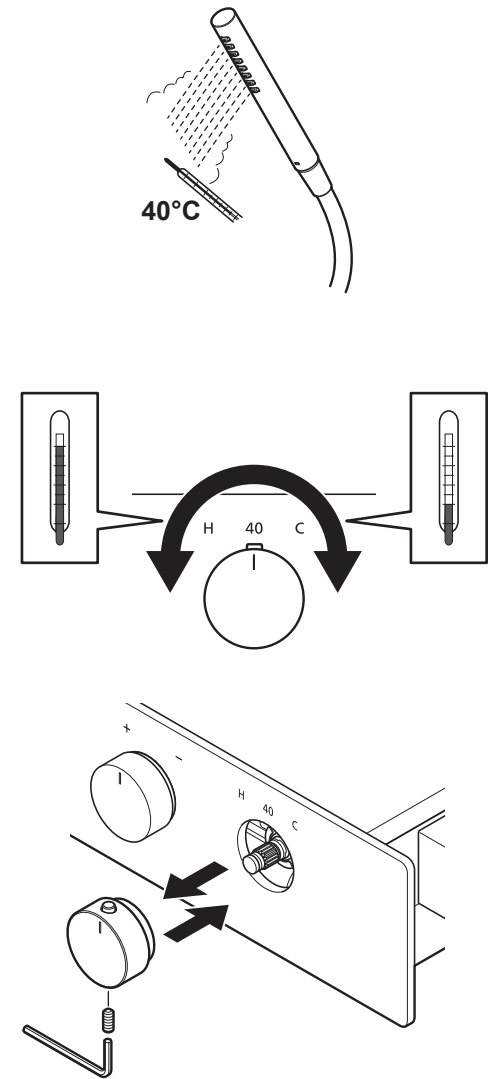
- CN**
1. 面板
  2. 开关按钮
  3. 开关阀
  4. 流量调节手柄
  5. 流量调节阀
  6. 温度调节手柄
  7. 温度调节阀
  8. 框架
  9. 顶板
  10. 防护罩
  11. 带逆止阀止水阀
  12. 花洒头
  13. 花洒软管
  14. 挂架
  15. 顶置式花洒
  16. 吐水口
  17. 连接管
  18. 支柱

- EN**
1. Panel
  2. Open/Close button
  3. Open/close valve
  4. Flow adjustment handle
  5. Flow adjustment valve
  6. Temperature control handle
  7. Temperature control valve
  8. Shelf
  9. Top plate
  10. Cover
  11. Stop valve with non-return valve
  12. Hand shower
  13. Shower hose
  14. Shower holder
  15. Overhead shower
  16. Spout
  17. Connecting pipe
  18. Support



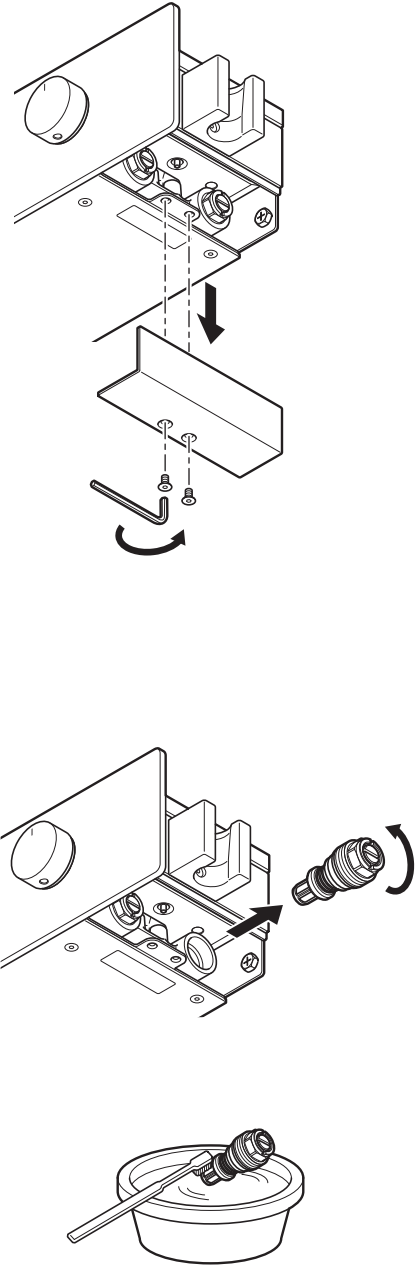
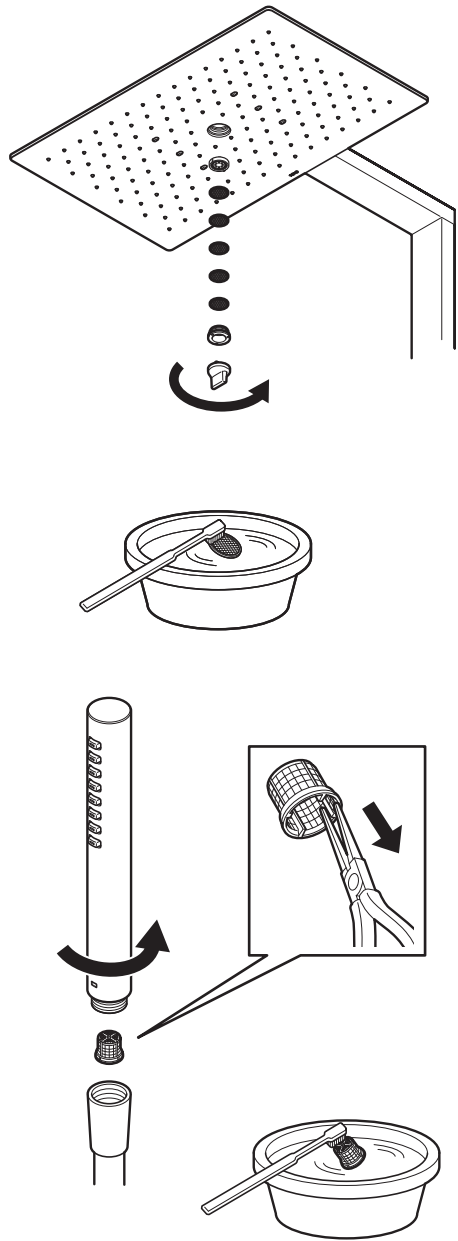
**A-1****A-2**

15

**A-3****A-4**

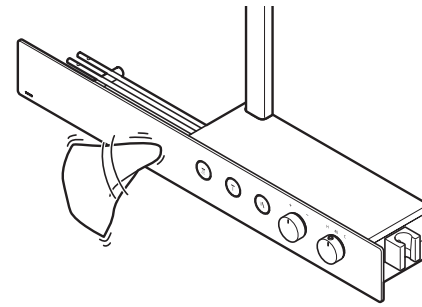
16

B-1

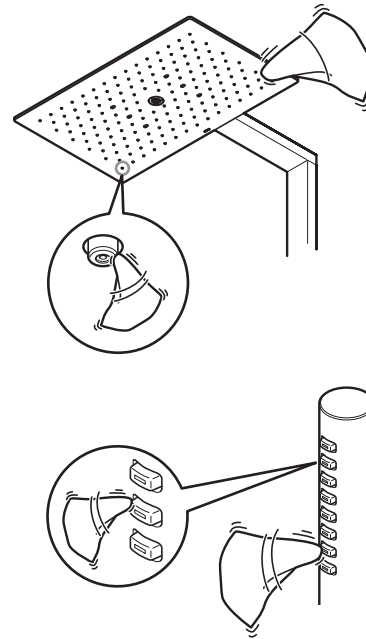


17

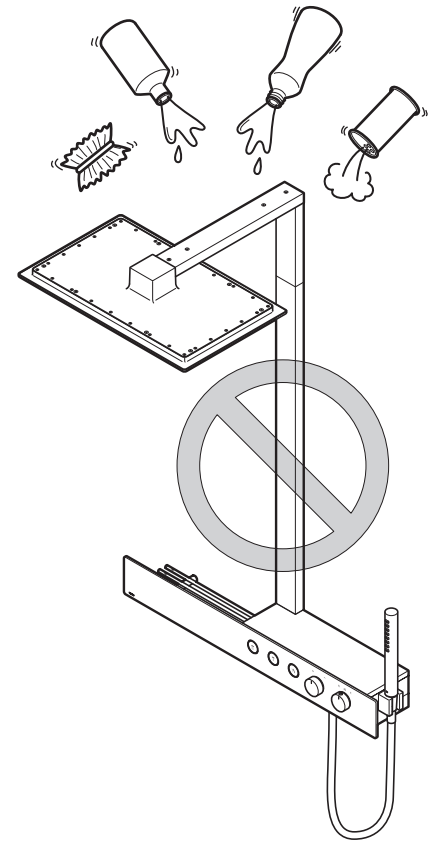
B-2



B-3



B-4



18

## A 使用方法

- 为确保舒适的吐水温度，热水器的推荐设定温度为50~60℃。
- 为安全起见，采用不出高温热水的构造。  
(当正确设置了温度调节手柄后，可吐水的最高温度约为45℃。)

### A-1 温度调节方法

转动温度调节手柄。

请以“40”标志为基准，将“安全按钮”对准您需要的温度。

要想使用约40℃以上的热水时，  
请在按下安全按钮的同时转动温度调节手柄。

### A-2 流量调节方法

转动流量调节手柄。

逆时针方向旋转流量调节手柄，流量增加；

顺时针方向旋转，则流量减少。

※虽然将流量调节手柄最大限度转动到右侧时水会停，但是关水时请按花洒开关按钮。

### A-3 水（热水）的开、关

放水（热水）

按开关按钮水会流出。

关水（热水）

再次按下开关按钮水就会停止。

### A-4 温度调节手柄的设置

请将温度调节手柄最大限度转动到从手持花洒出冷水一侧。  
不管刻度如何，先将温度调节手柄转动到出适温（约40℃）热水的位置。  
取下温度调节手柄。  
请将温度调节手柄对准“40”标记位置进行安装。  
固定后请检查是否出适温（约40℃）热水。



- 关闭花洒的水后，花洒会在一段时间内滴水。  
这是在排出花洒头内部的残留水分。  
如果几分钟后仍不止水，请检查手柄是否完全关闭。
- 因混入有空气，花洒头内部会发生吸气音，并非故障。

## B 日常护理

### B-1 过滤网的护理



清扫过滤网时，请务必先关闭管道总开关。  
另外，请确认热水侧过滤网是否存在发烫的部位。  
有时会出高温热水。有可能因漏水致使家庭财产浸水，造成烫伤或带来财产损失。

#### <吐水口>

取下吐水口盖、整流网、整流板。  
用牙刷等清除堵塞在整流网、整流板上的垃圾及污垢。  
安装吐水口盖、整流网、整流板。

#### <花洒头>

从花洒软管上取下花洒头。  
抓住突起部，卸下过滤网。  
用牙刷等清除堵塞在过滤网上的垃圾及污垢。  
将过滤网安装在花洒头上。  
将花洒头安装在花洒软管上。

#### <止水阀>

拧松螺钉，卸下防护罩。  
用套筒扳手等拧松止水阀，卸下过滤网。  
用牙刷等清除堵塞在过滤网上的垃圾及污垢。  
安装止水阀，用螺钉固定防护罩。

### B-2 使用布进行保养

- 轻微脏污时  
请将浸有冷水或温水的布拧干，擦拭污垢。
- 严重脏污时  
先用含有适量稀释后的浴室用中性洗涤剂的布擦拭污垢，然后用水清洗，再擦干。

### B-3 散水板的保养

如喷嘴堵塞，有时流线会发生紊乱。  
请将浸有冷水或温水的布拧干，轻轻擦拭污垢，以免损伤喷嘴。  
用力擦拭或摩擦，有可能使喷嘴损坏或变形，从而导致流线紊乱，请注意。

### B-4 须知事项

- 请勿使用有可能损坏龙头的物品。
- 酸性洗涤剂、氯漂白剂、碱性洗涤剂  
有可能导致龙头表面变色或树脂制零部件损坏。
  - 稀释剂、挥发油等溶剂  
有可能导致橡胶及树脂制零部件损坏。
  - 去污剂、研磨粉等含有粗颗粒的洗涤剂
  - 有可能导致龙头表面损伤的尼龙刷、板刷、刷子等。

## A How to Use

- The recommended temperature setting for the water heater is 50°C to 60°C to ensure a comfortable discharge temperature.
- For safety, the structure is designed to prevent a discharge of very hot water.  
(If the temperature control handle has been set correctly, then the maximum temperature at which water can be discharged is approximately 45°C.)

### A-1 How to adjust the temperature

Turn the temperature control handle.  
Use the "40" mark as a guide and adjust the "safety button" to your desired temperature.

For water hotter than about 40°C, keep the safety button pressed while turning the temperature control handle.

### A-2 How to adjust the flow rate

Turn the flow adjustment handle.  
Turning the flow adjustment handle counterclockwise increases the flow and turning it clockwise decreases the flow.

\*Turning the flow adjustment handle all the way to the right stops the flow, but please use the shower Open/Close button to stop the water.

### A-3 Discharging/stopping the water (hot water)

Discharging water (hot water)  
Press the Open/Close button and water will come out.

Stopping the water (hot water)  
Press the Open/Close button again to stop the water.

### A-4 Setting the temperature control handle

Turn the temperature control handle all the way to the side where water comes out of the hand shower.  
Turn the temperature control handle to the position where water at the appropriate temperature (about 40°C) comes out, regardless of the scale. Remove the temperature control handle.  
Attach the temperature control handle at the position of the "40" mark. After fastening the handle, check that water still comes out at the appropriate temperature (about 40°C).



- Sometimes water may drip from the shower for a while after the shower is turned off.  
This is a discharge of the residual water inside the shower head. If it does not stop even after a few minutes, then make sure that the handle is completely closed.
- An intake noise may be generated inside the shower head due to the mixing in of air. This is not a failure.

## B Daily Care

### B-1 Care for the filter



Be sure to close the stopcock before cleaning the filter.  
Also, check that no part of the filter on the hot water side is hot.  
Hot water may come out. There is a risk that wetting household belongings with water leakage may cause burns or damage to property.

<Spout>

Remove the spout cap, the flow regulating net and the baffle plate.

Use a toothbrush to remove any dust or dirt that has accumulated in the flow regulating net or baffle plate.

Reattach the spout cap, flow regulating net and baffle plate.

<Shower head>

Remove the shower head from the shower hose.

Pinch the projecting part and remove the filter.

Use a toothbrush to remove any dust or dirt that has accumulated in the filter.

Attach the filter to the shower head.

Attach the shower head to the shower hose.

<Stop valve>

Loosen the screws and remove the cover.

Loosen the stop valve with a socket wrench or similar and remove the filter.

Use a toothbrush to remove any dust or dirt that has accumulated in the filter.

Install the stop valve and fasten the cover with the screws.

### B-2 Cleaning with a cloth

- When there is light soiling  
Wipe the dirt off with a cloth that has been soaked in cold or lukewarm water and then well wrung.
- When there is heavy soiling  
Wipe the dirt off with a cloth containing a suitably diluted neutral detergent for bathroom use and then rinse with water and wipe with a dry cloth.

### B-3 Cleaning the overhead shower

If the nozzle becomes clogged, then the flow lines may be disturbed.

Use a cloth that has been soaked in cold or lukewarm water and then well wrung to gently wipe off any dirt from the nozzle, taking care not to damage the nozzle.

Be careful, as rubbing or wiping with a strong force may cause damage or deformation of the nozzle, which may result in even further disturbance of the flow lines.

### B-4 Requests

Do not use anything that may damage the product.

- Acidic detergent, chlorine bleach and alkaline detergent  
These may cause discoloration of the surface of the faucet or damage to the resin parts.
- Solvents such as thinner and benzene  
These may damage the rubber or resin parts.
- Detergents containing coarse particles, such as cleansers or polishing powder
- Nylon scrubbing brushes, scourers, brushes, etc.  
These will scratch the surface of the faucet.

# 定期检查

为能够安全、舒适地使用，请进行以下检查。

## 管道周围的漏水（1年2次以上）

### 检查管道周围有无漏水。

将有可能因老化、磨损等导致零部件损坏，发生受伤或因漏水致使家庭财产浸水等财产损失。

如发生漏水，请关闭总开关（参考P. 29），委托您所购买的安装店进行维修。

## 商品松动（每年2次以上）

### 检查与开始使用时相比有没有感觉到出现松动等异常的部分。

如果在管道周围存在松动的情况下使用，会对管道产生负荷，造成漏水。

另外，如果对松动等异常放置不管，有可能造成零部件损坏及电镀零部件表面破裂，导致受伤。

请委托您所购买的经销店、销售店进行维修。

## 温度调节手柄的操作性（每月1次以上）

1. 按几下安全按钮，检查能否顺畅转动。
2. 在按下安全按钮的同时转动温度调节手柄。
3. 不按安全按钮转动温度调节手柄，确认线的位置在超过「40」的附近锁定。

在长时间不旋转安全按钮及温度调节手柄使用时，如果附着水垢等转动不畅，请委托您所购买的安装店、经销店进行维修。

# Periodic Inspection

For safe and comfortable use, please conduct the following checks.

## Water leak around piping (More than twice a year)

### Check to see if there is any water leaking around the piping.

Parts may get damaged from deterioration or wear and cause personal injury or cause leakage resulting in water damage to property.

If water leaks, close the main valve (see Page 32) and ask your dealer or seller for repair.

## Looseness of the product (More than twice a year)

### Check for any parts that seem abnormal such as being loose as compared to when you first began using the product.

If you continue to use the product with loosened parts, it may cause improper loading to the pipes that may result in water leakage.

If you leave any abnormalities like loosened parts unfixed, parts may get damaged or plated surfaces may crack, and this may result in personal injury. Please ask your dealer or seller for repair.

## Operability of temperature control handle (Once or more each month)

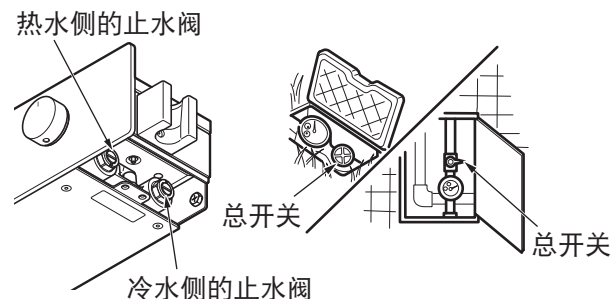
1. Press the safety button several times to check that it moves smoothly.
2. Turn the temperature control handle while pressing the safety button.
3. Turn the temperature control handle without pressing the safety button and check that it locks at the position around where the line goes beyond the "40" position.

If the product has been used for a long period of time without moving the safety button or temperature control handle, then water scale may become attached and worsen the movement of the product. If this happens, contact the store that installed or sold the product for repairs.

# 是不是故障呢？

## 紧急时的止水方法

在管道周围漏水及不止水等需要采取紧急措施的情况下，请按下图的要领关闭总开关。



- 如下情况并非故障。在委托维修前，请调查以下情况，如果仍无法恢复正常，请委托您所购买的安装店、经销店进行维修。

委托维修前			
现象	调查内容	处置方法	参考页码
不止水	开关按钮是否已关闭？	按开关按钮试试。	第16页
	花洒滴水是在排出花洒头内部残留的水分。并非故障。	-	-
流量少	过滤网眼有没有堵塞？	清扫吐水口、过滤网。	第17页
	在与燃气热水器组合使用时，能力转换式热水器是否设定为适当能力？	将燃气热水器的能力设定为适当能力。	-
	止水阀是否完全打开？	通过止水阀调节流量。	第29页
	流量调节手柄是否完全打开？	通过流量调节手柄调节流量。	第15页

委托维修前			
现象	调查内容	处置方法	参考页码
只出高温	冷水侧的止水阀是否完全打开	通过止水阀调节流量。	第29页
只出低温	冷水侧的止水阀是否完全打开	通过止水阀调节流量。	第29页
	热水器是否出足够的热水？	检查热水器的供热水温度、运转	-
无法正常调节温度	热水器是否出足够的热水？	检查热水器的供热水温度、运转	-
	过滤网眼是否堵塞	清扫过滤网	第17页
	热水侧、冷水侧的止水阀是否已经调节	通过止水阀调节流量	第29页
	温度调节手柄的设置是否正确	确认温度调节手柄的设置	第16页
按开关按钮也不吐水	流量调节手柄是否完全打开	旋转流量调节手柄试试	第15页
吐水不规律	喷嘴眼是否堵塞	清扫喷嘴	第18页
	过滤网眼是否堵塞	清扫过滤网	第17页
花洒软管和主体连接部漏水	连接花洒软管和主体的带帽螺母是否松动	重新拧紧花洒软管的带帽螺母	-
花洒头自然旋转	花洒软管是否扭曲	请将花洒软管的扭曲拉直	-
手柄松动	固定螺钉是否松动	拧紧手柄固定用定位螺钉	第16页



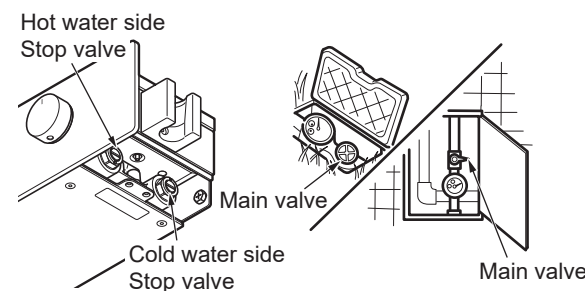
# Problemshooting

- 有时会发生以下现象，但是并非故障。

现象	说明
不出高温	为安全起见，采用了即使将温度调节手柄最大限度转动到热水侧 也只出约45℃热水的结构
少量吐水时发出声音	通过流量调节手柄将流量调为少量时的水流声音

## How to stop water in an emergency

In case of an emergency such as water leakage around the piping or water does not shut off, close the water shutoff valve or the main valve as shown in the figure below.



**Remove the cover, insert a flat-head screwdriver and close the stop valves on the hot and cold water sides. If the water still does not stop, then close the Main valve.**

- The following phenomena are not because of problems. Before asking for repair, refer to this information. If the problems persist, ask your dealer for repairs. For details, check the after-sale services.

Before asking for repair			
Phenomenon	Inspection Point	Solution	Reference page
Water does not shut off	Is the Open/Close button closed?	Try pressing the Open/Close button.	Page 16
	Water dripping from the shower is the water remaining inside the shower head draining off. It is not due to any problem.	-	-
The flow rate is too slow	Is the filter clogged?	Clean the spout and filter.	Page 17
	When using the product in combination with a gas water heater, if the water heater is the capacity switching type, then is it set to the appropriate capacity?	Set the capacity of the gas water heater to the appropriate capacity.	-
	Is the stop valve open enough?	Adjust the flow rate with the stop valve.	Page 32
	Is the flow adjustment handle open enough?	Adjust the flow rate with the flow adjustment handle.	Page 15

Before asking for repair			
Phenomenon	Inspection Point	Solution	Reference page
<b>Only hot water comes out</b>	Is the stop valve on the cold water side open enough?	Adjust the flow rate with the stop valves.	Page 32
<b>Only cold water comes out</b>	Is the stop valve on the cold water side open enough?	Adjust the flow rate with the stop valves.	Page 32
	Does a sufficient amount of hot water come from the hot-water supply?	Check the water heating temperature and the operation of the water heater.	-
<b>Temperature cannot be adjusted well</b>	Does a sufficient amount of hot water come from the hot-water supply?	Check the water heating temperature and the operation of the water heater.	-
	Is the filter clogged?	Clean the filter.	Page 17
	Have the stop valves on the hot and cold water sides been adjusted?	Adjust the flow rate with the stop valves.	Page 32
	Has the temperature control handle been set correctly?	Check the temperature control handle setting.	Page 16
<b>There is no discharge even if the Open/Close button is pressed</b>	Is the flow adjustment handle open enough?	Try turning the flow adjustment handle.	Page 15
<b>The water flow is turbulent</b>	Is the nozzle clogged?	Clean the nozzle.	Page 18
	Is the filter clogged?	Clean the filter.	Page 17
<b>Water leaks from the connection between the shower hose and the main body</b>	Is the connection between the shower hose and the main body loosened?	Retighten the shower hose.	-
<b>The shower head turns naturally</b>	Is the shower hose kinked?	Remove the kink in the shower hose.	-
<b>The handle rattles</b>	Have the set screws become loose?	Tighten the set screws that fasten the handle.	Page 16

- The following phenomena may occur but they are not due to any problem.

Phenomena	Explanation
<b>There is no high temperature discharge</b>	For safety reasons, even if the temperature adjustment handle is turned fully towards the hot water side, the structure means that only water up to about 45°C will be discharged.
<b>Water flow sounds loud</b>	It is the sound of water flowing when the flow adjustment handle has been used to adjust the flow to a small flow.

# 售后服务



[委托修理前, 请确认「是故障吗?」之内容(第29页).]

## 零件的更换

免费修理而更换下的部件、产品属东陶(中国)有限公司所有。

## 磨损·老化零件的更换

- 阀芯或密封圈磨损和老化, 可能会造成漏水。此时, 需要更换该零件。
- 请委托经销商或代理店更换磨损·老化零件。

## 委托修理时

### [委托修理地点]

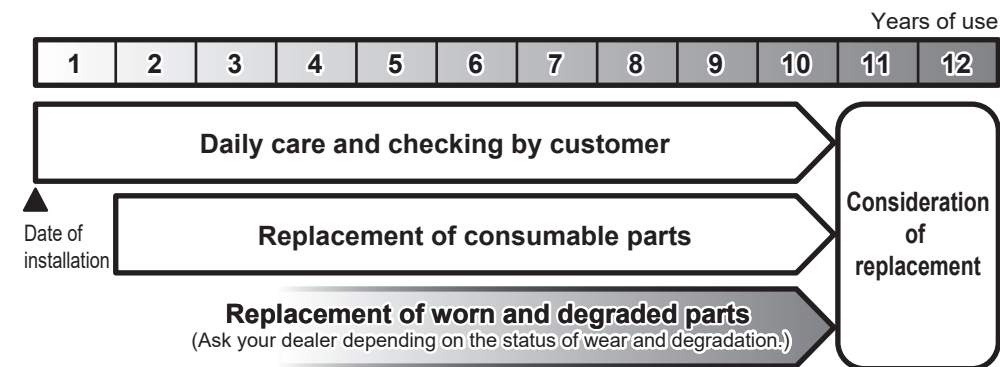
经销商或代理店

### [需联络的内容]

- ①地址、姓名、电话号码
- ②产品名称 ③型号
- ④安装日期
- ⑤故障内容、异常情况  
(从哪里漏水等)
- ⑥希望到府上的维修日期



# After-Sale Services



[Before asking for repairs, please check "Troubleshooting" (Page 32).]

## Replacement of part(s)

Parts and products that are dismantled for repairs belong to TOTO.

## Replacement of parts subject to wear and deterioration

- If the valve and packing wear or deteriorate, water may leak. Replacement of applicable parts is necessary.
- Ask the place of purchase to replace worn or deteriorated parts.

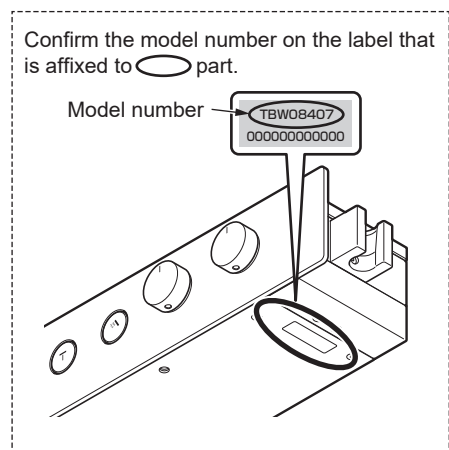
## When asking for repairs

### [Where to ask for repair]

Your dealer or seller

### [Information we want to know]

- (1) Address, name and telephone number
- (2) Name of product (3) Model number
- (4) Date of installation
- (5) Details of trouble and status of abnormality  
(From where water leaks, etc.)
- (6) Desired date of visit



# TOTO

## 产品保修卡

※本保证书是对本书中已明记的时间，条件下进行免费修理的保证。

因此，此保证书不是作为限制客户在法律上权利的东西。

对保证期过后的修理等问题不明时，请查询东陶（中国）有限公司。

售后服务全国免费电话：8008209787（固定电话）4008209787（手机拨打）

客户	姓名	产品名称	双柄恒温淋浴明装普通水压水嘴 (带固定花洒·手持花洒)
	地址 邮编		型号
安装公司	邮编	保修期限	安装日期 / 自购买日起，陶瓷阀芯及本体为5年 其它部件为1年
经销商	电话		
安装 / 购买日期	年 月 日		

执行标准：QB/T2806-2017

### ★致客户

·当您拿到本保修卡时，请填写并确认安装日期、安装公司（或经销商）名称以及经办者盖章。因保修卡不再另行发行，请妥善保管，切勿遗失。另外，本保修卡只在中国国内有效（不含港、澳、台地区）。

·即使在保修期限内，下列情况也要有偿修理。

- (1) 超越本产品正常使用范围而导致的故障及损伤等（如将普通家庭用产品作为业务性产品使用）。
- (2) 因使用、管理不当而造成的故障及损伤等。
- (3) 未根据敝公司的安装说明书进行安装或由非专业人员拆卸等造成的故障及损伤等。
- (4) 因建筑结构的变形而造成的产品故障及损伤等。
- (5) 随着岁月、使用而造成涂料褪色或磨损等外观上的问题。
- (6) 因在金属易于腐蚀的环境（海岸附近、温泉地区等）下使用而造成的故障及损伤等。
- (7) 因老鼠等动物或昆虫啃啮、动物及昆虫的残骸留在产品内等而造成的故障及损伤等。
- (8) 由火灾、雷击、地震、火山爆发、洪水、海啸等天灾地害或破坏行为而造成的故障及损伤等。
- (9) 因使用异常电压、非符合的电源（电压、频率）以及受送电线、周围电器等产生的电磁波的影响而造成的故障及损伤等。
- (10) 因日常的维护保养不当导致的肮脏、镀层生锈等不良。
  - (11) 安装后又拆移等原因造成的损伤。
  - (12) 因水管淤积的沙土、垃圾以及附着的水垢而造成的故障及使用不良等。
  - (13) 因供给不符合供水规定（有关自来水的国家基准）所规定的饮用水质的水而造成的故障及使用不良等。
  - (14) 因冻结而造成的故障及使用不良等。
  - (15) 未出示本保修单的情况。
  - (16) 本保修单上未填写客户姓名、安装日期、经销商（或代理店）名称以及经办者盖章的情况。

·关于零件的更换

免费修理时换下的零件、产品属于东陶（中国）有限公司所有。

※本保修单是对本书中已记载的时间、条件下进行免费修理的保修。

因此，本保修单并不是作为限制客户在法律上权利的东西。

对保修期过后的修理等有不明确问题时，请查询东陶（中国）有限公司。

·修理完毕后交给客户的修理单上有修理内容的记载，故请妥善保管。

本保证书仅适用于中国国内。

经销商：东陶（中国）有限公司

# TOTO

## WARRANTY

TOTO will repair this product free of charge according to the warranty period and conditions described herein. If trouble occurs during the following period from the date of installation, users are requested to contact any of the offices listed in the back cover for repair, showing this WARRANTY.

Customer	Name:	Name of Product	Thermostat Shower Column (Shelf Type)
	Address:		Model Number
Dealer	Address:	Period of Warranty	The warranty is effective for a period of one (1) year from the date of purchase.
Seller	Tel: -		
Date of Installation/ Date of purchase			

### ★To customers

·When receiving this warranty, please make sure that the date of installation, the name of installer (or seller) and that the seal of the installer are included.

Since TOTO will not reissue this warranty, please keep it in a safe and retrievable place.

·Repairs are subject to billing even within the warranty period in the following cases.

- (1) Trouble caused by use of the product outside of the scope of the application specified above.
- (2) Trouble attributable to incorrect use or improper maintenance.
- (3) Trouble attributable to installation contrary to instructions in the installation manual or disassembly by persons other than technicians.
- (4) Trouble attributable to deformation of the building structure.
- (5) Trouble in appearance arising out of seasonal changes such as discoloration or wear during use.
- (6) Trouble attributable to corrosive environments for metal (coastal areas, hot springs, etc.).
- (7) Trouble attributable to insects or animals, as well as carcasses thereof animals inside the product.
- (8) Trouble caused by catastrophic phenomena of nature such as fire, lightning, earthquakes, volcanic eruptions, flooding or tsunamis, as well as destructive behavior.
- (9) Trouble attributable to abnormal voltage in electric products, use of unspecified power supplies (voltage/frequency) or electromagnetic waves generated from external sources such as power transmission lines and nearby electrical equipment.
- (10) Trouble caused by worn-out parts (batteries, etc.).
- (11) Trouble caused by wear or deterioration of parts (filter, etc.) under daily care, or O-rings and packing of drain plugs.
- (12) Trouble attributable to the intrusion of sand or dust into piping, or adherence of water scale.
- (13) Trouble attributable to supplied water that does not conform to the quality standards of drinking water specified by national standards relating to water service (Water Service Act).
- (14) Trouble attributable to freezing.
- (15) If this warranty is not presented when asking for repairs.
- (16) If this warranty does not contain the name of the customer, the date of installation, the name of the dealer (or seller) or the seal of the installer.

\*This warranty assures repair free of charge within the period and under the conditions specified herein. Accordingly, this warranty does not restrict the legal rights of the customer.

If anything about repairs after the expiration of the warranty period is unclear, please contact any of the offices listed in the back cover.

·Retain the repair slip that will be handed to the customer after the completion of repairs, as it describes the repairs in details.

This product warranty card is applicable to countries except China.

# 合格证

本产品经检查判定合格

执行标准：QB/T 2806-2017

产品型号：见包装箱上的标签

产品名称：见包装箱上的标签

生产日期：见包装箱上的标签

组装工厂：TOTO AQUATECHNO LTD.

厂 址：日本,福冈县北九州市小仓南区朽网东5-1-1

东陶(中国)有限公司

全国售后服务电话：800-820-9787(固定电话)

400-820-9787(手机用户)

销售商：东陶(中国)有限公司

地 址：北京市朝阳区光华路1号 北京嘉里中心北楼1915室

网 址：www.toto.com.cn

## MEMO

**MEMO**

**MEMO**